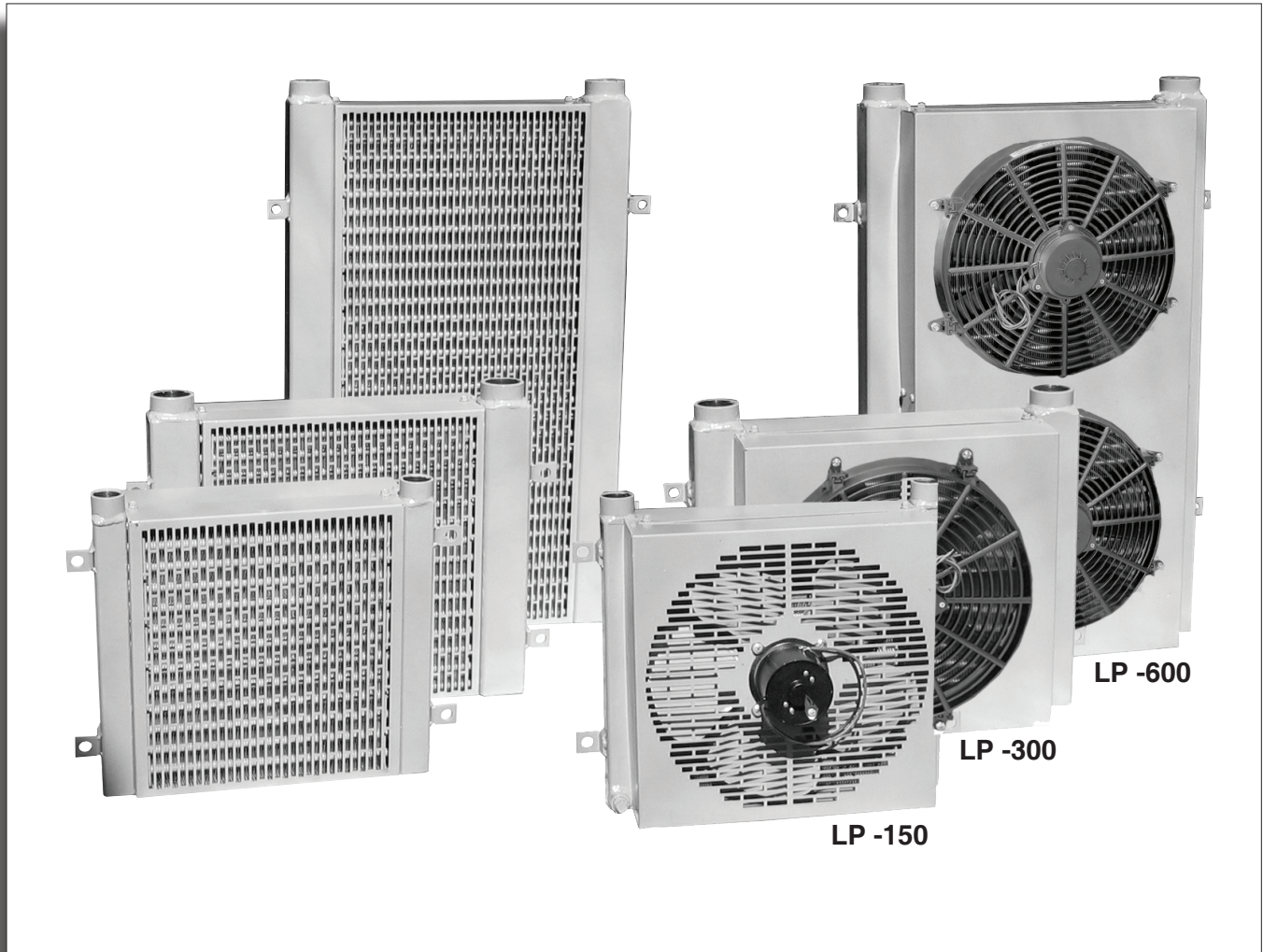


LP & LPR SERIES



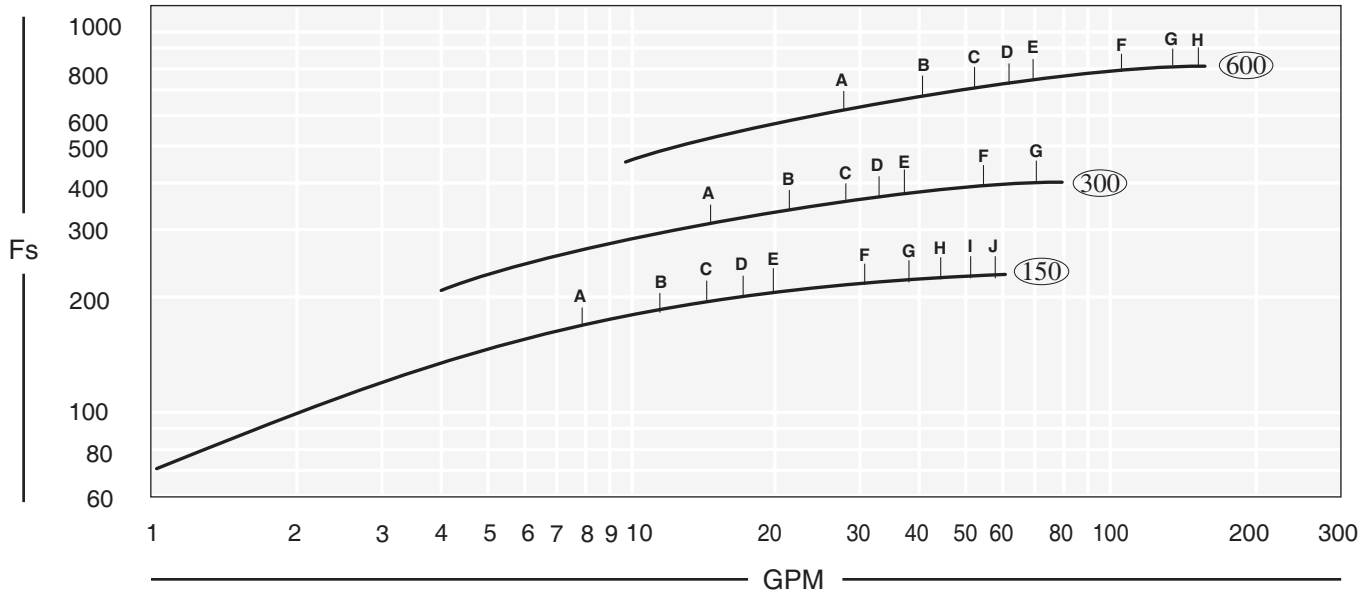
MOBILE AIR COOLED

LIQUID COOLERS

12 volt & 24 volt DC motor

- Mobile design.
- Operating temperature of 300° F and pressure of 300PSI.
- Standard NPT or SAE connections.
- Cools: Fluid power systems, lubrication systems, hydraulic presses, gear drives, torque convertors, machine tools, etc...

LP & LPR Series motor data



PERFORMANCE CALCULATION

$$F_s = \frac{\text{Horsepower to be removed (HP)} \times 2545 \times \text{Cv}}{\text{°F (Oil Leaving* - Ambient Air Entering)}} = \frac{\text{BTU}}{\text{hr °F}}$$

*Represents desired fluid leaving the cooler.

OIL PRESSURE DROP (PSI) CODE

A = 1 PSI	D = 4 PSI	G = 15 PSI	J = 30 PSI
B = 2 PSI	E = 5 PSI	H = 20 PSI	
C = 3 PSI	F = 10 PSI	I = 25 PSI	

LP MOTOR DATA

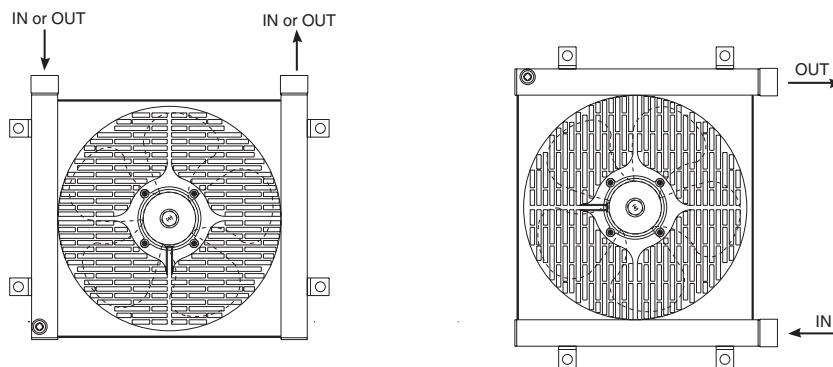
Model	Volts	FLA Per Motor	RPM	Total CFM
LP - 150	12 / 24	9.0 / 4.5	2700	950
LPR - 150	12 / 24	9.0 / 4.5	2700	950
LP - 300	12 / 24	13.7 / 6.6	3000	950
LPR - 300	12 / 24	13.7 / 6.6	2300	950
LP - 600	12 / 24	13.7 / 6.6	3000	1900
LPR - 600	12 / 24	13.7 / 6.6	3000	1900

STANDARD CONSTRUCTION MATERIALS

Standard Construction Materials			
Tubes	Copper	Mount. bracket	Steel
Fins	Aluminum	Cabinet	Steel
Turbulators	Steel	Fan Blade	Aluminum
Manifold	Steel		

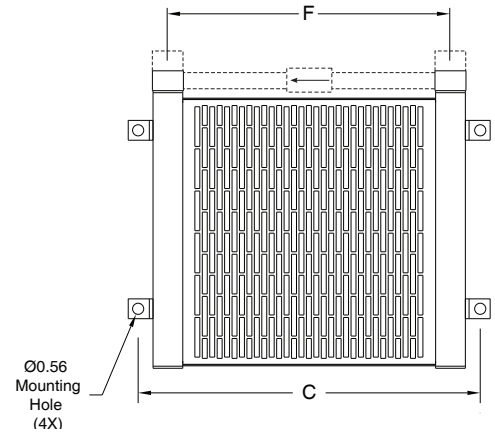
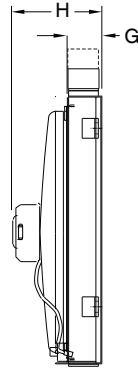
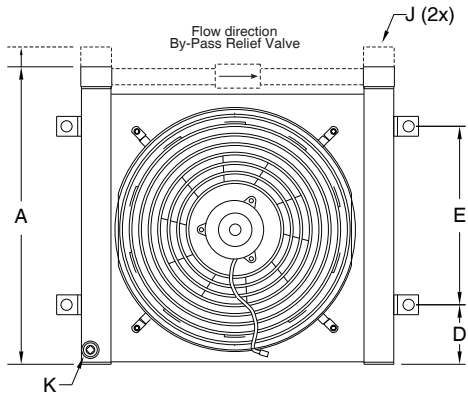
Standard Unit Ratings	
Operating Pressure	300 psig
Operating Temp.	300 °F

PIPING HOOK-UP

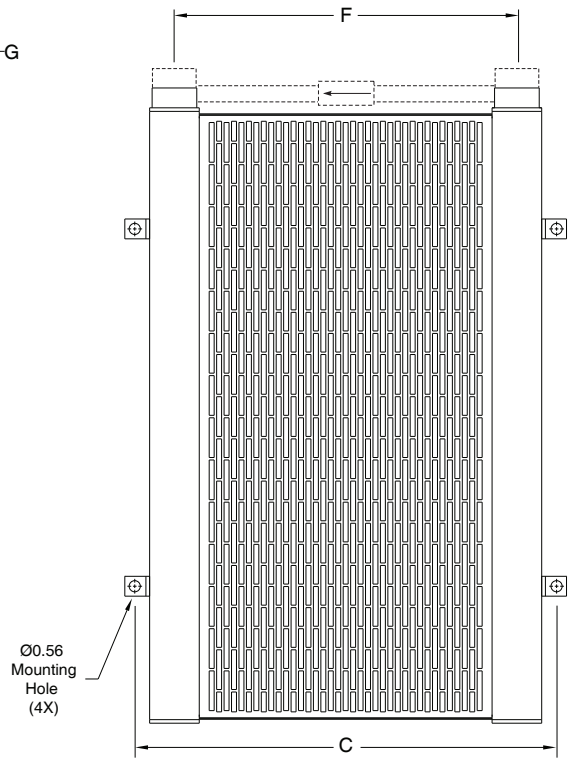
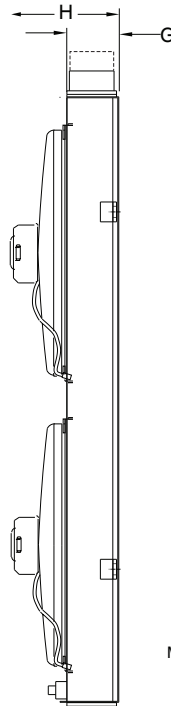
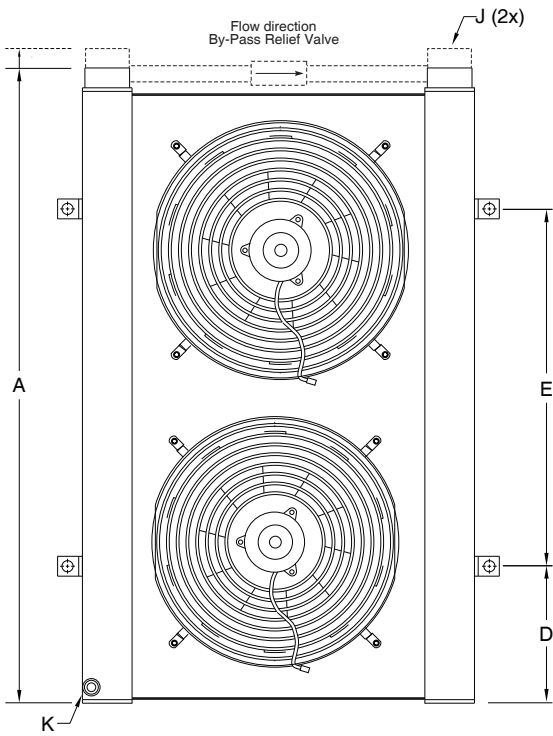


LP & LPR Series *dimensions*

MODELS LP-150 and LP-300



MODEL LP-600



COMMON DIMENSIONS & WEIGHTS

Model	A	C	D	E	F	G	H	J NPT	J SAE	K NPT	Weight	Model	
LP-150	15.00	17.25	3.00	9.00	14.25	4.90	7.68	1.00	#16 1 5/16-12	.375	28	LP-150	
LPR-150	17.50										31	LPR-150	
LP-300	17.00	21.25	3.13	17.25	3.25	6.50	1.50	#24 1 7/8-12			37	LP-300	
LPR-300	19.50										40	LPR-300	
LP-600	32.00		6.90	18.00								69	LP-600
LPR-600	34.50											73	LPR-600

EXAMPLE OF A MODEL

