

American Industrial Heat Transfer Inc.®

Manufacturer of Quality Heat Exchangers



www.aihti.com

M and ME SERIES



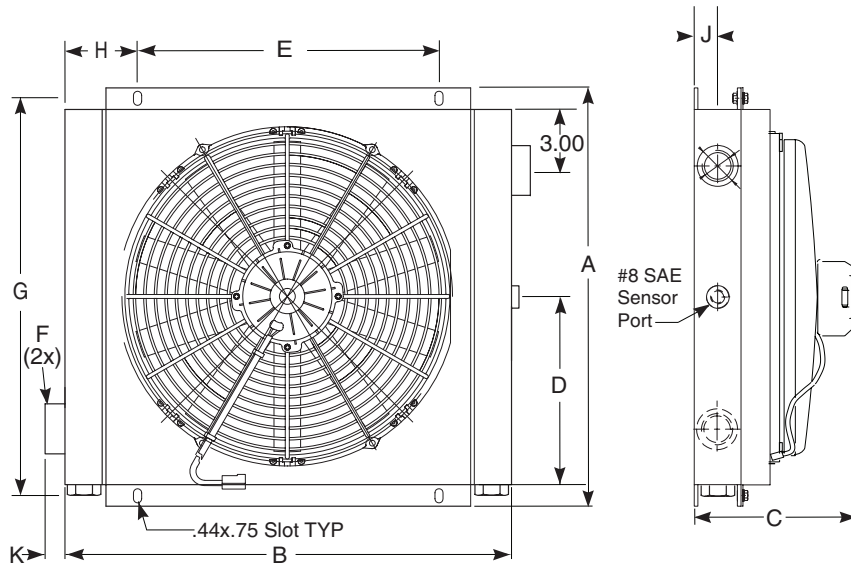
MOBILE AIR COOLED

OIL COOLERS

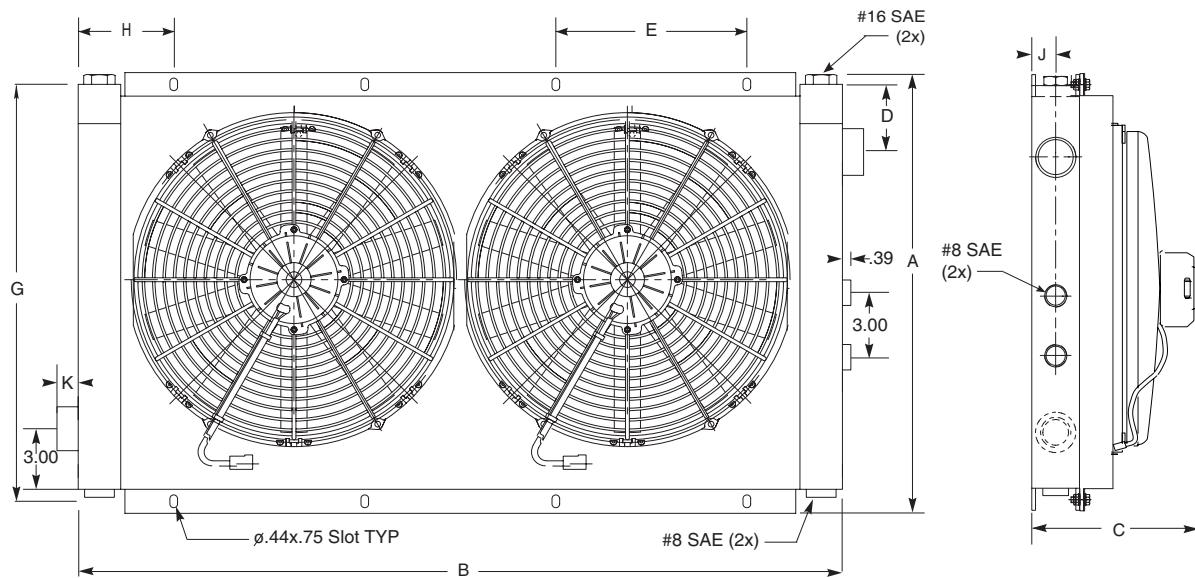
12 volt & 24 volt DC motor

- Mobile design.
- Custom designs to fit your needs.
- Operating temperature of 400° F and pressure of 300PSI.
- Standard SAE connections.
- Cools: Fluid power systems, lubrication systems, hydraulic presses, gear drives, torque convertors, machine tools, etc...

M Series dimensions



M - 120 through M - 480

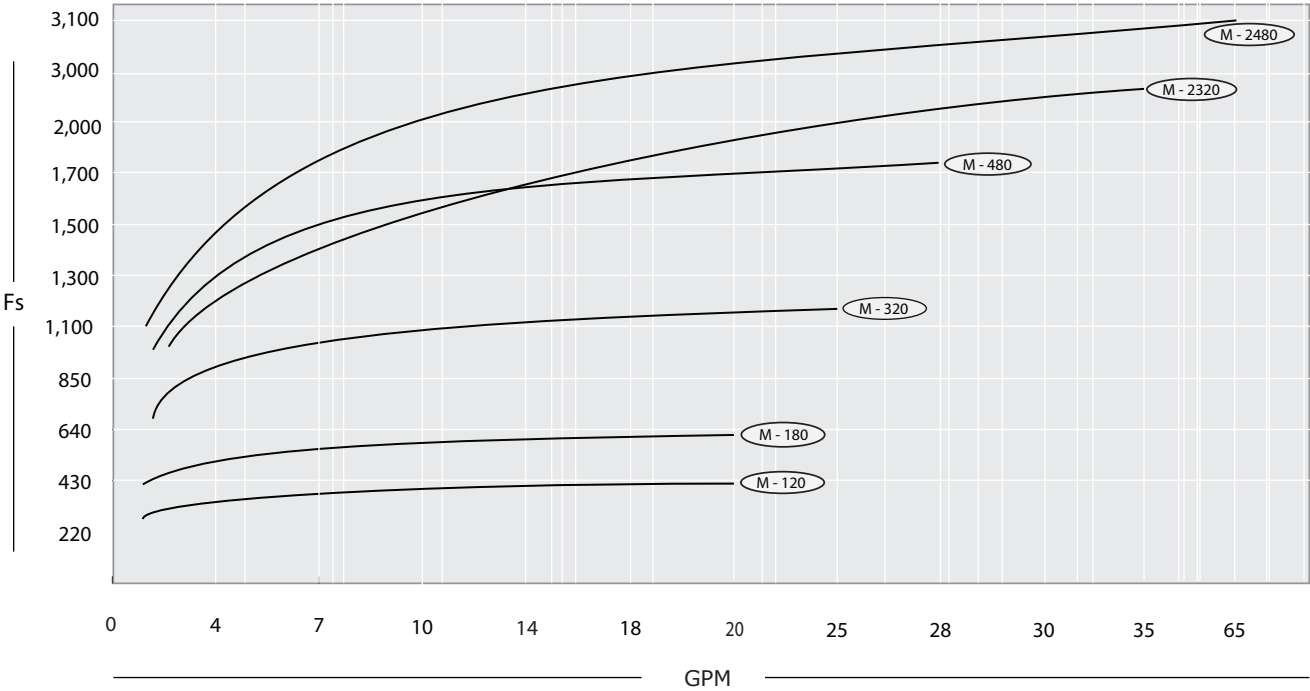


M - 2320 through M - 2480

DIMENSIONS (inches)

Model	A	B	C	D	E	F	G	H	J	K	Weight
M - 120	11.73	13.97	6.5	5.00	4.96	#12 SAE	10.86	4.50	1.24	.98	15
M - 180	13.50	15.94	6.5	5.91	5.86	#16 SAE	12.75	5.04	1.24	1.18	18
M - 320	18.42	19.68	7	8.08	12.00	#20 SAE	17.32	3.84	1.24	1.57	28
M - 480	22.12	23.62	7	9.92	15.94	#20 SAE	21.02	3.84	1.24	1.57	41
M - 2320	19.44	33.46	7.5	3.00	7.87	#20 SAE	18.38	4.93	1.28	.98	55
M - 2480	23.18	35.43	7.5	3.22	8.5	#20 SAE	22.20	4.44	1.28	.98	80

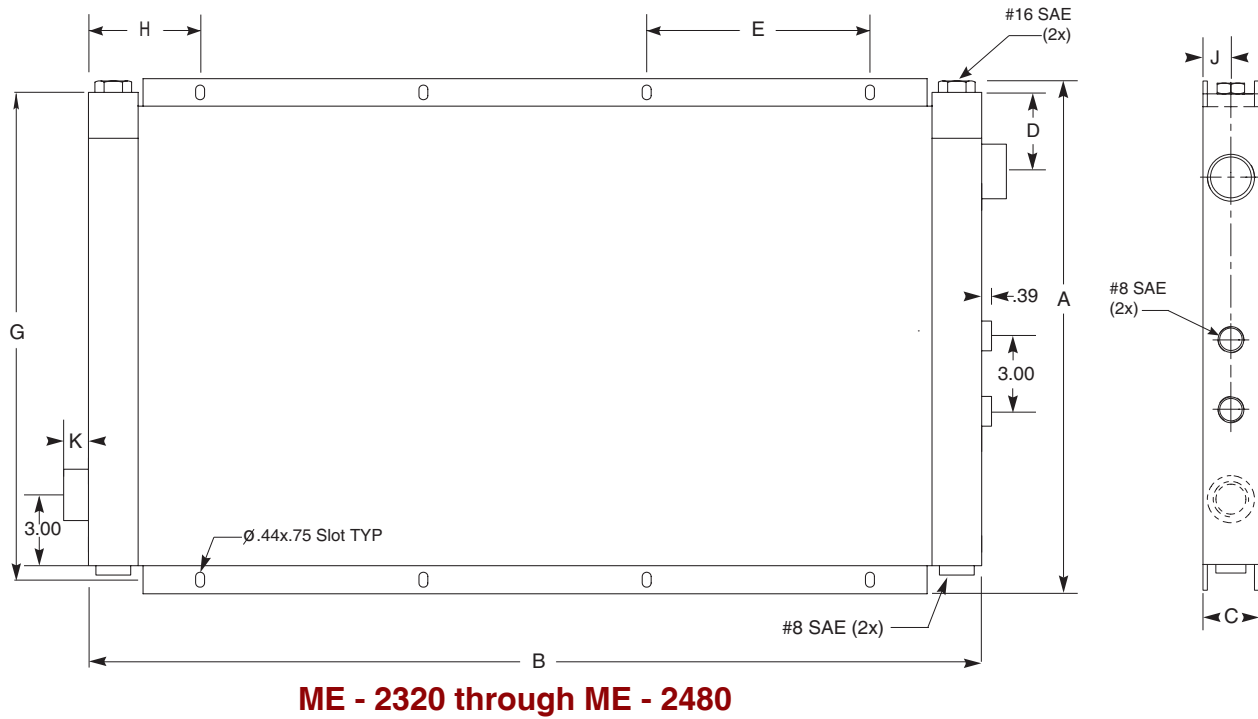
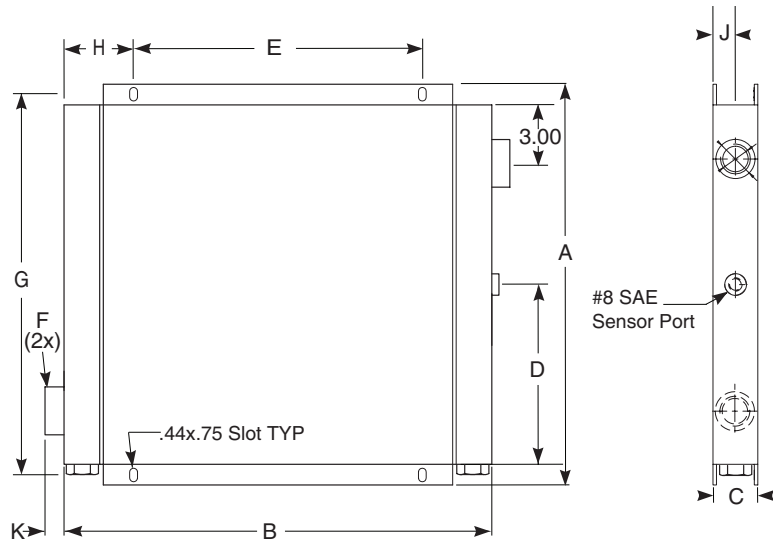
M Models with DC Fan Assemblies



Model	Volts	Per Motor Full Load Amperes	Total CFM
M - 120	12 / 24	12.5 / 6.3	14.75
M - 180	12 / 24	10.6 / 5.3	22.17
M - 320	12 / 24	22.2 / 11.1	38.74
M - 480	12 / 24	22.2 / 11.1	46.40
M - 2320	12 / 24	19.3 / 9.7	63.23
M - 2480	12 / 24	19.3 / 9.7	82.75



ME Series *dimensions*



DIMENSIONS (inches)

Model	A	B	C	D	E	F	G	H	J	K	Weight
ME - 120	11.73	13.97	2.48	5.00	4.96	#12 SAE	10.86	4.50	1.24	.98	15
ME - 180	13.50	15.94	2.48	5.91	5.86	#16 SAE	12.75	5.04	1.24	1.18	18
ME - 320	18.42	19.68	2.48	8.08	12.00	#20 SAE	17.32	3.84	1.24	1.57	28
ME - 480	22.12	23.62	2.48	9.92	15.94	#20 SAE	21.02	3.84	1.24	1.57	41
ME-2320	19.44	33.46	2.56	3.00	7.87	#20 SAE	18.38	4.93	1.28	.98	55
ME-2480	23.18	35.43	2.56	3.22	8.5	#20 SAE	22.20	4.44	1.28	.98	80