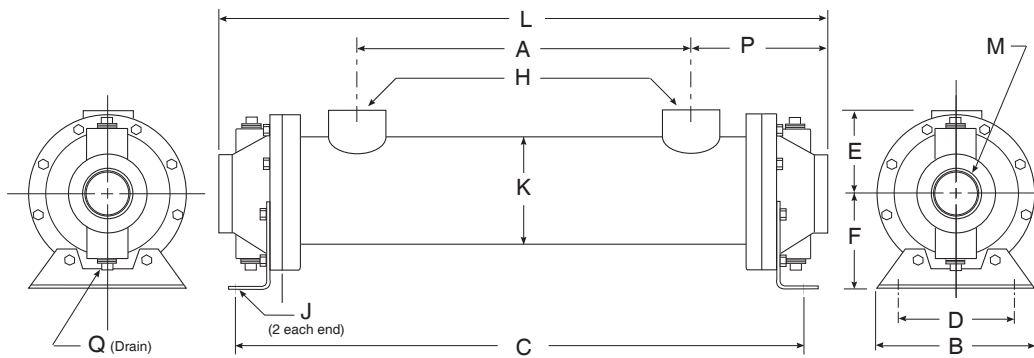


Fixed Tube Bundle / Liquid Cooled

HEAT EXCHANGERS

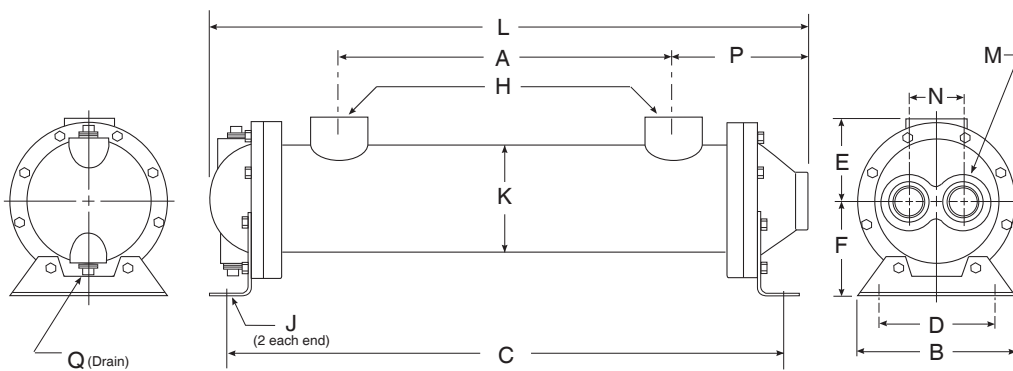
- Operating pressure for tubes 150 PSI.
- Operating pressure for shell 300 PSI.
- Operating temperature 300 °F.
- Can be customized to fit any applications.
- Computer generated data sheet available for any application

CK & CKS Series *dimensions*



Model	L	M NPT	P	S NPT
CK-505	7.38			
CK-508	10.38			
CK-510	12.38			
CK-512	14.38	.75	3.35	---
CK-514	16.38			
CK-518	20.38			
CK-524	26.38			
CK-536	38.38			
CK-708	12.57			
CK-712	16.57	1.25	4.78	(2) .38
CK-714	18.57			
CK-718	22.57			
CK-724	28.57			
CK-736	40.57			
CK-1012	17.02			
CK-1014	19.02			
CK-1018	23.02	2.00	5.17	(2) .38
CK-1024	29.03			
CK-1036	41.02			
CK-1048	53.02			

Single Pass (SP)



Model	L	M NPT	N	P	Q NPT
CK-708	12.44				
CK-714	16.44				
CK-718	18.44	1.00	1.76	4.85	(2) .38
CK-724	22.44				
CK-736	40.44				
CK-1012	16.71				
CK-1014	18.71				
CK-1018	22.71				
CK-1024	28.71	1.50	2.38	5.17	(2) .38
CK-1036	40.71				
CK-1048	52.71				

Two Pass (TP)

COMMON DIMENSIONS & WEIGHTS

Model	A	B	C	D	E	F	H		J	K	Approx. Weight	Model
							NPT	SAE				
CK-505	2.19		7.44				.50	#8			7.00	CK-505
CK-508	3.85		10.44								7.50	CK-508
CK-510	5.85		12.44								8.00	CK-510
CK-512	7.85	3.50	14.44	2.50	2.28	1.62	.75	#12	.34φ x .62	2.55	8.50	CK-512
CK-514	9.85		16.44					1 1/16 -12			9.00	CK-514
CK-518	13.85		20.44								9.50	CK-518
CK-524	19.85		26.44								10.50	CK-524
CK-536	31.85		38.44								11.50	CK-536
CK-708	3.00		10.71								15.00	CK-708
CK-712	7.00		14.71								17.50	CK-712
CK-714	9.00	5.00	16.71	3.00	2.84	2.69	1.50	#24	.44φ x .75	3.75	18.50	CK-714
CK-718	13.00		20.71					1 7/8 -12			20.00	CK-718
CK-724	19.00		26.71								22.00	CK-724
CK-736	31.00		38.71								24.50	CK-736
CK-1012	6.18		15.45								38.00	CK-1012
CK-1014	8.18		17.45								40.00	CK-1014
CK-1018	12.18	6.50	21.45	4.00	3.62	4.00	2.00	#32	.44φ x 1.00	5.25	44.50	CK-1018
CK-1024	18.18		27.45					2 1/2 -12			51.00	CK-1024
CK-1036	30.18		39.45								57.00	CK-1036
CK-1048	42.18		51.45								64.00	CK-1048